

## GDAM Aluminium Double Action Spring Hinge

### Features

- Spring loaded for self-closing
- Opens in both directions inside and outside
- Spring tension adjustable

### Material

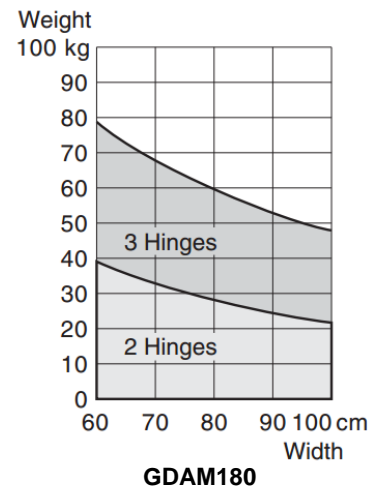
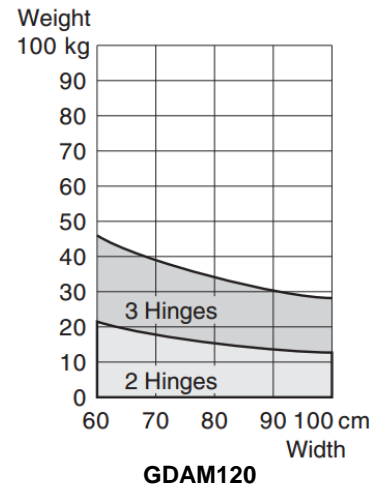
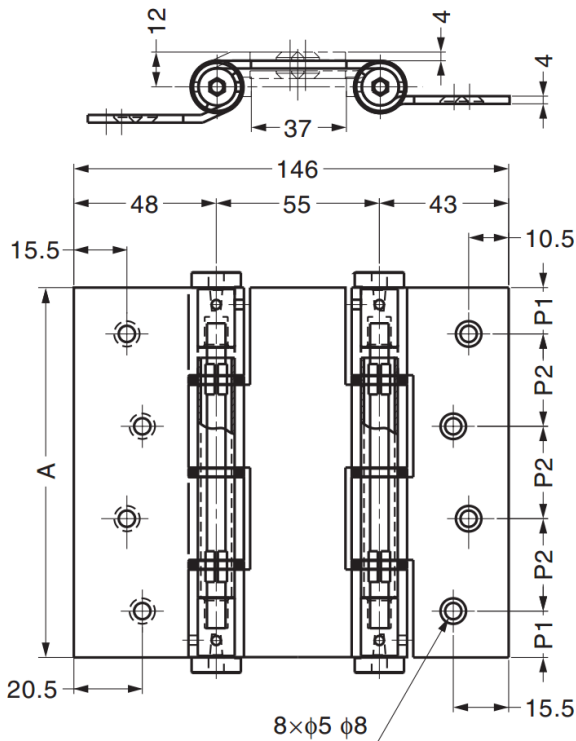
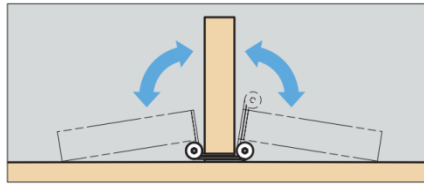
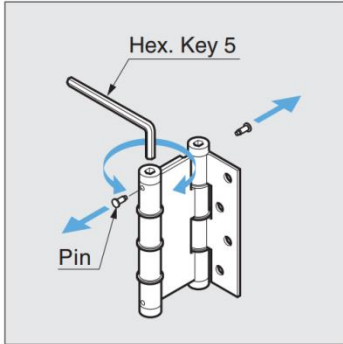
- Aluminum alloy, anodized

### Notes

- Recommended to use with door stopper



### How to Adjust Spring Tension



Part No.	A	P1	P2	Door Thickness
GDAM120	120	15	30	Max. 35
GDAM180	180	22.5	45	